

### Microplate Horn

(Only for use with Q700)

Similar to a Cup Horn, but larger, the Microplate Horn is an indirect sonication device capable of processing an entire 96 well microtiter plate or many microtubes at one time.

Simply place your samples within the water-filled reservoir and the sonic energy is transferred into each individual well or tube. This unit is ideal for high throughput applications.

The Horn is equipped with a clear acrylic collar to contain the liquid media within the reservoir. This allows the user to process deep well microplates or other tall vessels. Standard microtiter plates or PCR tubes require a smaller volume of liquid for sonication. For these applications, the clear acrylic collar may be removed and the lower, gray collar will allow for easier access to the samples.



#Q700MPX



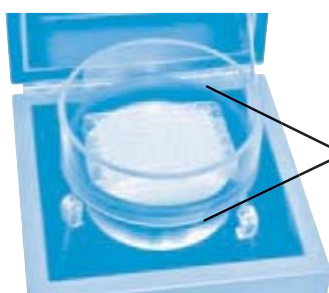
#431MPX



#431MPXH

Part #	Description
<b>Q700MPX</b>	Q700 (Without Standard Probe), and the 431MPX
<b>431MPX</b>	Microplate Horn, Pinch Clamps, Tubing and Sound Enclosure
<b>431MPXH</b>	Microplate Horn Only
<b>432MP</b>	Sound Enclosure for Microplate Horn
<b>444</b>	300 µl Microcentrifuge Tube Holder/Cover

Exterior dimensions of the Sound Enclosure are 10" wide x 10" deep x 17" high.



#444

The Microplate Horn is commonly used in PMCA research. A microcentrifuge tube holder and cover (#444) are available and often used for this application.

**Agence Nord:**

ZA Object'Ifs Sud - Lot A3  
6 Allée Emilie du Châtelet  
14123 Ifs  
tél : 02.31.34.50.74  
fax : 02.31.34.55.17

**Agence Sud:**

Bât Le Venango. 392 Rue Jean Dausset  
AGROPARC - BP11575  
84916 Avignon Cédex 9  
tél : 04.90.27.17.95 fax : 04.90.27.17.52

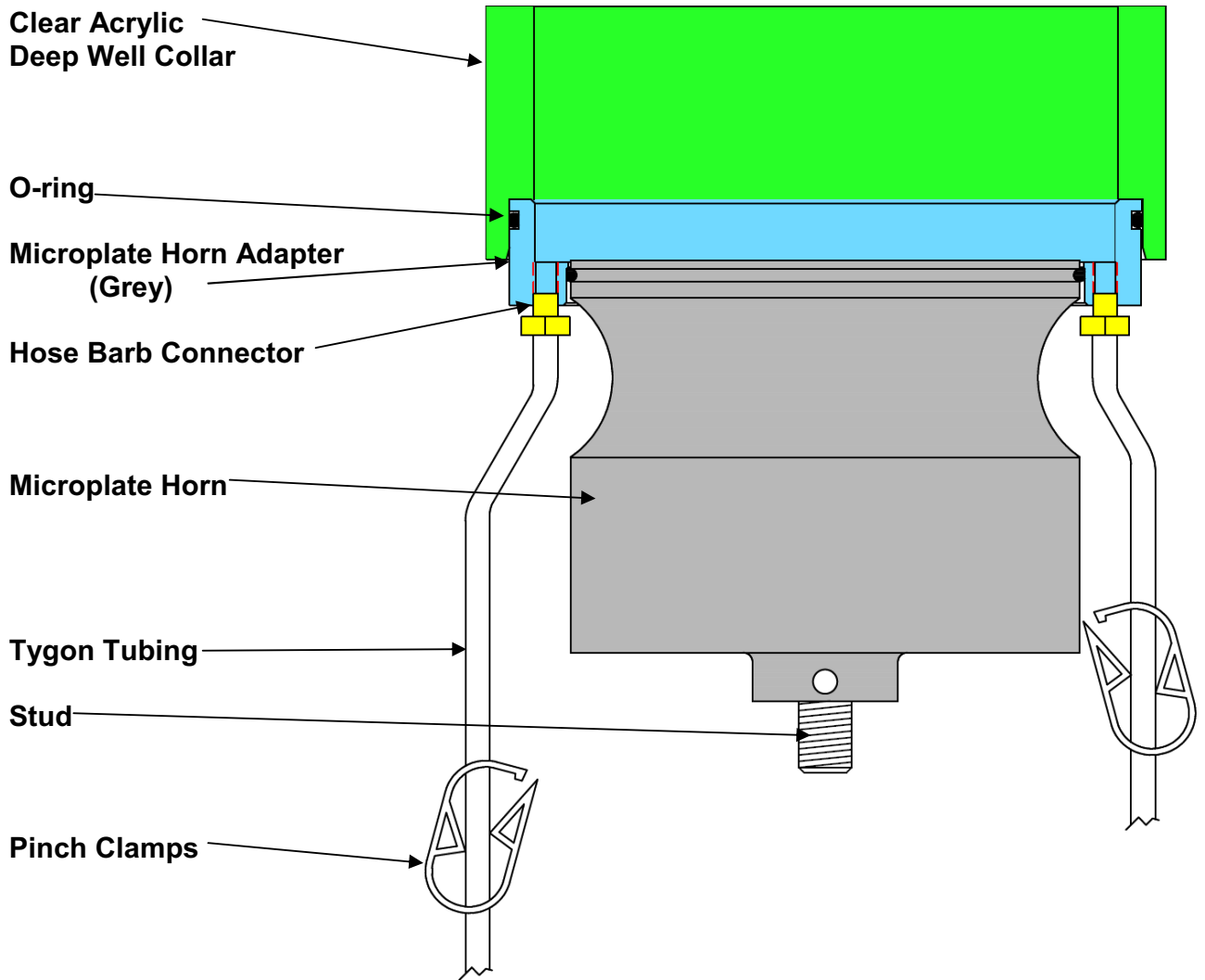
**Agence Est:**

Parc Club des Tanneries  
2 Rue de la Faisanderie  
67380 Lingolsheim  
tél : 03.88.04.01.81  
fax : 03.68.93.01.52



[www.deltalabo.fr](http://www.deltalabo.fr)  
[info@deltalabo.fr](mailto:info@deltalabo.fr)

### Microplate Horn Diagram (#431MPX)



- The tall, clear collar is removable. If it is not required, simply slide it upwards and it will be released.
- The Sound Enclosure is included with the purchase of the # S-4000MPX or # 431MPX.
- If you only purchase # 431MPX, the Generator and Converter are not included.