

Agence Nord:
ZA Object'ifs Sud - Lot A3
6 Allée Emilie du Châtelet
14123 Ifs
tél : 02.31.34.50.74
fax : 02.31.34.55.17



Agence Est:
Parc Club des Tanneries
2 Rue de la Faisanderie
67380 Lingolsheim
tél : 03.88.04.01.81
fax : 03.68.93.01.52

Agence Sud:
Bât Le Venango, 392 Rue Jean Dausset
AGROPARC - BP11575
84916 Avignon Cédex 9
tél : 04.90.27.17.95 fax : 04.90.27.17.52

www.deltalabo.fr
info@deltalabo.fr

The Art of Measuring. **Knick** 

The first portable devices with
Memosens technology for measuring
pH, conductivity and oxygen.

Portavo





The future is now.

Introducing Portavo from Knick, the first portable devices for pH, conductivity and oxygen with digital Memosens technology.



Functions

Analog and optical oxygen sensors can also be used in addition to digital Memosens sensors. The transfective color display can be read easily, even in direct sunlight. The data logger records up to 10,000 values. A lithium-ion battery ensures maximum availability.

Communication

Data logger entries can be shown using an extensive recorder function on the display.

The standard micro USB interface enables

- connection to a PC
- software updates
- charging of the Li-ion battery

Design

Ergonomically optimized for on-site and laboratory use.

The robust and chemical-resistant housing has a range of ingenious features: the integrated but removable quiver protects the sensor. The multi-functional hook ensures freedom of movement by allowing the devices to be hung up or positioned upright together with the reversible protective cover.

Ex versions

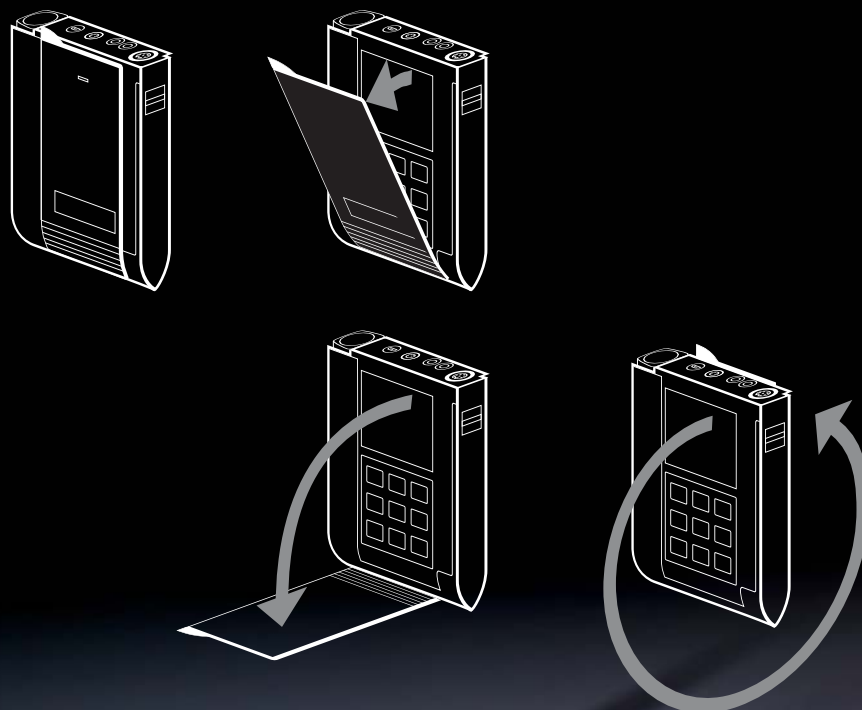
As the world's only portable devices for liquid analysis, the Portavo 904 X series features ATEX approval for zones 0 and 1.

Portavo

The benefits at a glance:

- For all modern, digital Memosens sensors
- Conventional analog sensors can be connected simultaneously
- Multi-parameter versions for pH, conductivity and oxygen
- Multi-functional housing for process and laboratory
- Integrated protective cover, also acts as benchtop stand
- Integrated hook for positioning upright or hanging up
- Integrated sensor quiver, protects the sensor from drying out
- Indestructible
1 m drop height onto concrete
- Scratch-resistant mineral glass display
- Calimatic automatic calibration
- Sensoface sensor monitoring

3-year warranty





Reliability has a name.



Memosens. The contactless connector system transfers both energy and data between sensors and Portavo.

The contactless system

Only Memosens is unaffected by dirt or moisture. Even if the system is connected under water.

Intelligent diagnostics

Intelligent integrated diagnostics functions guarantee optimum process management. Monitoring of the sensor operating time, sensor wear, remaining lifetime, maximum temperature, adaptive calibration time, the calibration and adjustment data increases availability.

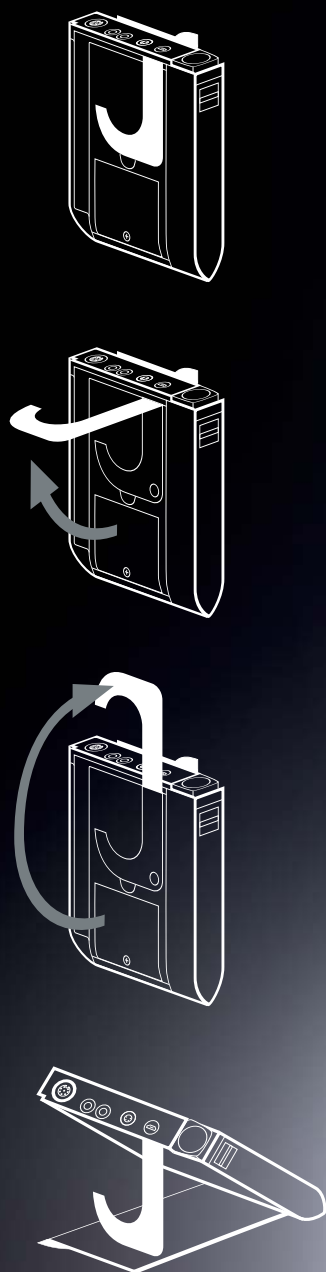


The benefits at a glance:

- Plug & Measure –
Sensor replacement in seconds with pre-calibrated sensors
- Just one cable for all sensors
- Simple and safe plug-in with bayonet fastening
- Contactless, digital data transfer
- All key data available in the sensor
- Reliable measurements, even in the toughest conditions
- Simple multi-parameter operation without cable clutter



Portavo





The flagship.

Portavo 907. The flagship in the Portavo series with multi-parameter functionality and a high-resolution color display.

The only portable device for all Memosens parameters. Also for conventional analog sensors. The powerful Li-ion battery can be charged in the device via USB. The clear network diagram provides an at-a-glance view of the sensor state.

Comprehensive data logger

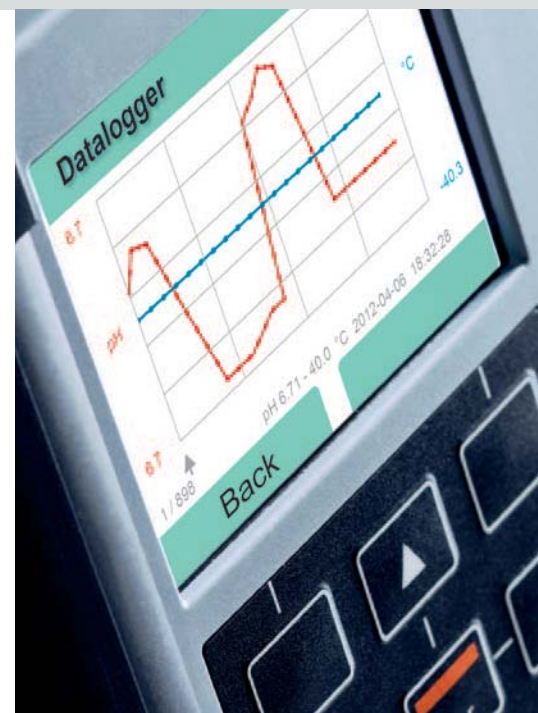
The following logging types can be selected:

- Manual logging
- Time-controlled logging at a fixed interval
- Signal-controlled logging of measured value and temperature
- Combined time- and signal-controlled logging
- Threshold-controlled logging with pre-trigger

The datalogger for up to 10,000 values records point of measurement, annotation, sensor ID, sensor serial number (Memosens), primary value, temperature, time stamp and device status.

User-friendly software

Portavo 907 proves that a high level of functionality and easy use are not mutually exclusive. It proceeds step by step through the calibration procedure. Technical terms are clearly explained in the context-sensitive help.



Portavo 907



Digital



pH



Cond



oxy

Analog



pH



Cond

Portavo 907 Multi pH

Multi-parameter portable device for the following sensors:

- Memosens pH
- Memosens conductivity
- Memosens oxygen

In addition:

analog pH sensors with DIN connector

Portavo 907 Multi Cond

Multi-parameter portable device for the following sensors:

- Memosens pH
- Memosens conductivity
- Memosens oxygen

In addition:

SE 202 and SE 204 analog conductivity sensors

Portavo 907 Multi Oxy

Multi-parameter portable device for the following sensors::

- Memosens pH
- Memosens conductivity
- Memosens oxygen

In addition:

SE 340 digital oxygen sensor with optical measuring function



Portavo 904 (X)

Portavo 904 X. The world's only portable device for liquid analysis with ATEX approval for measurements up to zone 0/1. Ideal for applications in the process industry.

For the first time, Portavo enables direct on-site testing of process measuring points. It is compatible with almost all analog and Memosens process sensors. Memosens sensors with different parameters can be checked without changing the sensor cable. The new MemoLog function allows the user to log calibration data from various Memosens measuring points, which can then be easily transferred to a PC via the standard USB connection. The Paraly SW 112 software enables user-friendly management of all recorded data.

Portavo 904 X Multi

Multiparameter portable for pH, ORP, oxygen and conductivity. For digital Memosens sensors.

Portavo 904 X pH

Portable device for pH value measurement with Memosens sensors and DIN pH sensors (e.g. flat-membrane sensors).

Portavo 904 X Cond

Portable device for measurements with digital Memosens and analog conductivity sensors.



Portavo 904. Portable device with Li-ion battery and high-contrast segment display.

Up to 5,000 values can be recorded using the integrated data logger. These data can be easily transferred to a PC for analysis using the USB interface and the included Paraly SW 112 software.

Portavo 904 X pH

Portable device for pH value measurement with Memosens sensors and DIN pH sensors (e.g. flat-membrane sensors).

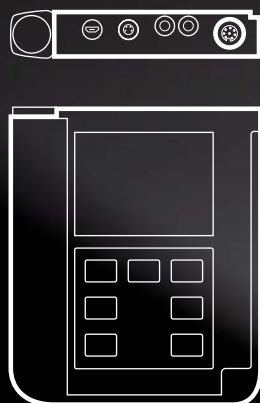
Portavo 904 X Cond

Portable device for measurements with digital Memosens and analog conductivity sensors.

Portavo 904 Oxy

Portable device for measuring dissolved oxygen with Memosens sensors.

Portavo 902



Portavo 902. The basic version for measuring pH, ORP or conductivity.

Robust, intuitive portable device for routine daily measurements in laboratories and processes. Over 1,000 operating hours with a single set of batteries (4 x AA).

Portavo 902 pH
pH portable device for digital Memosens sensors and analog DIN pH sensors.

Portavo 902 Cond
Portable conductivity measurement device for connection to Memosens and analog sensors.



The Portavo Series.



Device

Sensors

Connections/Software

Calibration

Data storage

ATEX approval

Overview



902

904

904 X

907

High-resolution, daylight-readable color TFT display				•	
High-contrast static segment display	•	•	•		
Open, easy-to-clean quiver	•	•	•	•	
Carrying strap	•	•	•	•	
Real-time clock	•	•	•	•	
Replaceable Li-ion battery, USB-chargeable in the device		•		•	
MemoLog – Logger for Memosens calibration data		•	•	•	
Multiple languages				•	
Multiparameter version for pH, ORP, conductivity and oxygen			•	•	
SE 340 optical oxygen sensor				•	
Analog pH sensors with DIN plug	•	•	•	•	
Analog conductivity sensors	•	•	•	•	
Memosens sensors	•	•	•	•	
USB port for software update and communication		•	•	•	
Paraly SW 112 PC software for communication with PC		•	•	•	
Calibration with Calimatic automatic buffer recognition	•	•	•	•	
Calibration by data entry	•	•	•	•	
Manual calibration by entering individual buffer values	•	•	•	•	
Calibration timer (can be switched off)	•	•	•	•	
Data logger for automatic recording of measured values		•	•	•	
Data memory (number of storable values)		5,000	5,000	10,000	
Zone 0/1			•		

Agence Nord:

ZA Object'ifs Sud - Lot A3
6 Allée Emilie du Châtelet
14123 Ifs
tél : 02.31.34.50.74
fax : 02.31.34.55.17

Agence Est:

Parc Club des Tanneries
2 Rue de la Faisanderie
67380 Lingolsheim
tél : 03.88.04.01.81
fax : 03.68.93.01.52



Agence Sud:

Bât Le Venango. 392 Rue Jean Dausset
AGROPARC - BP11575
84916 Avignon Cédex 9
tél : 04.90.27.17.95 fax : 04.90.27.17.52

www.deltalabo.fr
info@deltalabo.fr

