

# ABAKUS® MOBIL FLUID

Particle counter for Oils

**Agence Nord:**  
ZA Object'ifs Sud - Lot A3  
6 Allée Emilie du Châtelet  
14123 Ifs  
tél : 02.31.34.50.74  
fax : 02.31.34.55.17



**Agence Est:**  
Parc Club des Tanneries  
2 Rue de la Faisanderie  
67380 Lingolsheim  
tél : 03.88.04.01.81  
fax : 03.68.93.01.52

**Agence Sud:**  
Bât Le Venango, 392 Rue Jean Dausset  
AGROPARC - BP11575  
84916 Avignon Cédex 9  
tél : 04.90.27.17.95 fax : 04.90.27.17.52

[www.deltalabo.fr](http://www.deltalabo.fr)  
[info@deltalabo.fr](mailto:info@deltalabo.fr)



**KLOTZ®**

Particle measuring systems for liquids, air, gases and oils.

## ABAKUS® MOBIL FLUID

Particle counter for Oils

The Abakus® mobil fluid particle counting system with tank (Amf) is used for counting particles from pressure lines and bottles. The particle number is displayed in 16 size classes, printed out, saved and transmitted to the interface. The representation of the particle number is carried out in the effective standards. The LDS 45/50 laser sensor and the double piston pump are well suited for the contamination control of oils. The pump works independently of the inlet pressure and the oil's viscosity. Since no idle stroke is required it is possible to very quickly measure large quantities of liquid. The Amf particle counter can work from lab bottles, tank systems and pressure lines without any problems.

The LDS 45/50 sensor for the Amf and PZG can be employed for high particle concentrations of up to 60,000 particles/ml. Furthermore, the sensor is distinguished by its high reproducibility and high resolution.

For monitoring flushing equipment the LDS 1/1 laser sensor is used. The sensor can be operated with a high flow rate.

### Software:

With the "Log and Show" evaluation software the measuring results can be exported and further processed via the built-in interface to the PC in various programs (MS Excel, Lotus 1-2-3 etc.). Direct measuring and saving via the software is also possible.  
Optional: external memory

### Areas of application:

Contamination control of hydraulic oils (bottle samples or samples from pressure lines), testing diesel fuels, contamination control of transmission oils. The measuring device is suitable for online measurements, for measurements in the lab and due to its compact construction also for on-site mobile applications.  
Optional: battery operation.

## Abakus Mobil Fluid – models



Abakus® mobil fluid classic



Abakus® mobil fluid touch



Abakus® mobil fluid V4A

## Technische Details

### • Norms:

According to ISO 4406 (91/99)<sup>123</sup>, NAS 1638<sup>123</sup>, GB 5930-86<sup>23</sup>, GJB-420-87<sup>23</sup>, GJB-420A-96<sup>123</sup>, GJB-420B<sup>12</sup>, GOST 17216-71<sup>123</sup>, SAE-A6D<sup>123</sup>, SAE-749D<sup>23</sup>, SAE-AS4059D<sup>123</sup>, SAE-AS4059E<sup>23</sup>  
<sup>1</sup>Amf classic / <sup>2</sup>Amf touch / <sup>3</sup>Amf V4A

### • Measuring value display:

PC, display, printer, limit value display, external memory

### • Software:

LAS 3.3

### • Power supply:

230 / 115 VAC, 24 VDC, battery

### • Connection:

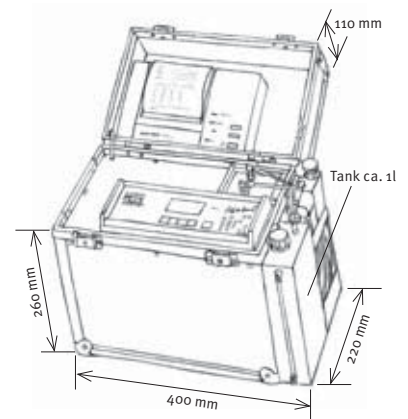
Minimess (M16x3; 6 mm Ermeto (L))

### • Dimensions Amf classic (HxWxD):

370 x 400 x 220 mm

### • Accessories:

PZG for the pressurization of sample bottles



### Agence Nord:

ZA Object'Ifs Sud - Lot A3  
6 Allée Emilie du Châtelet  
14123 Ifs  
tél : 02.31.34.50.74  
fax : 02.31.34.55.17

### Agence Sud:

Bât Le Venango. 392 Rue Jean Dausset  
AGROPARC - BP11575  
84916 Avignon Cédex 9  
tél : 04.90.27.17.95 fax : 04.90.27.17.52



### Agence Est:

Parc Club des Tanneries  
2 Rue de la Faisanderie  
67380 Lingolsheim  
tél : 03.88.04.01.81  
fax : 03.68.93.01.52

[www.deltalabo.fr](http://www.deltalabo.fr)  
[info@deltalabo.fr](mailto:info@deltalabo.fr)