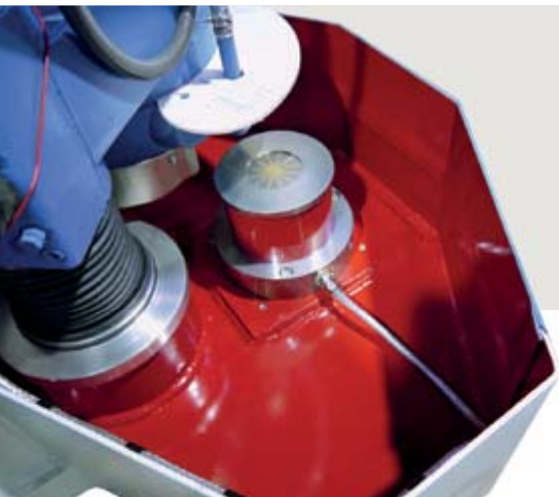


# HS 200

Manual grinding machine



**HERZOG**



HS 200 with electro magnet

## Manually operated swing grinding machine for a broad range of applications

### At a glance

- Compact bench-top design with various mounting possibilities
- Due to the robust design reproducible surface grinding, even of difficult samples types
- Minimum of maintenance and long service life
- Easy handling and easy exchange of the grinding wheel

### Easy handling

The HS 200 is a manually operated grinding machine for sample preparation of pig-iron and steel samples used in foundries, steel works and other metal processing companies.

Handling of the machine is easy. The easy running swinging arm allows sensitive grinding of samples. Due to the strong column and the swinging arm mounted in taper roller bearing the HS 200 enables reproducible surface grinding.

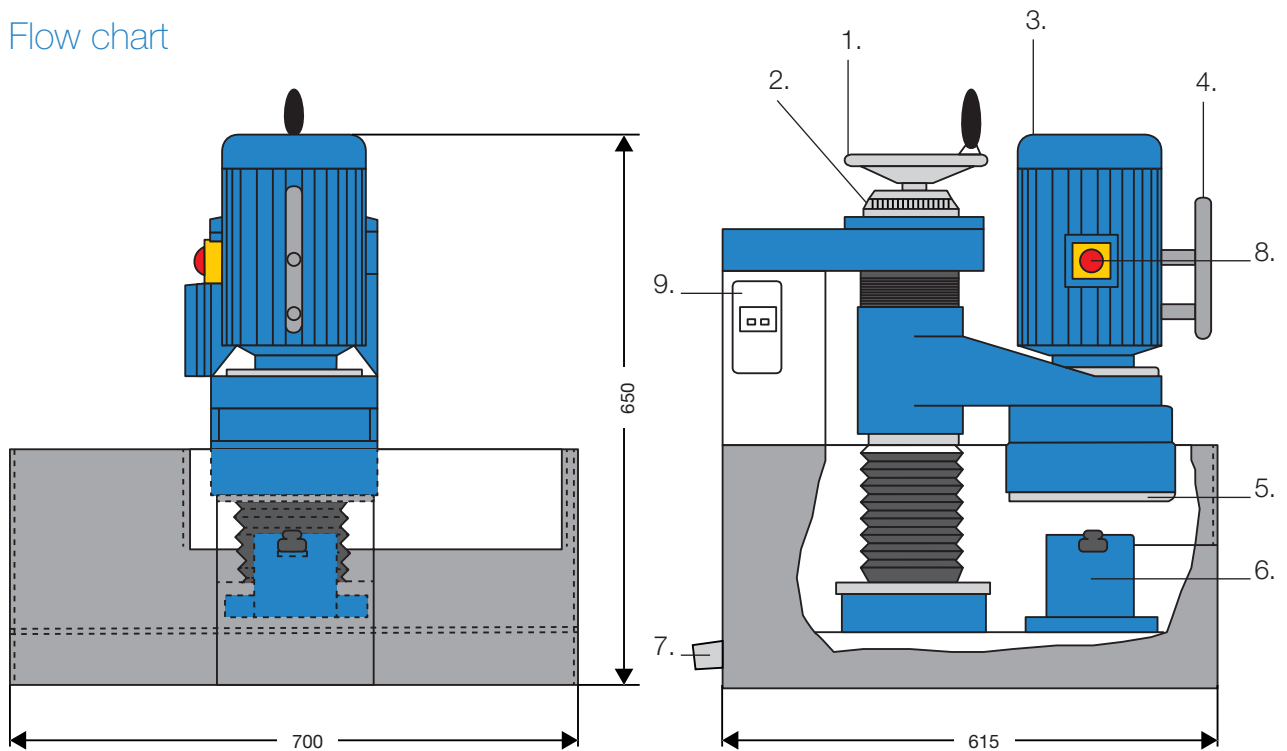
### Wide range of possible applications

The HS 200 offers a compact design and, due to the table execution, ample mounting possibilities. Various clamping devices are available like parallel vice, pneumatic, permanent and electro magnet, as well as combination of parallel vice and permanent magnet.

The HS 200 is low-maintenance with easy exchange of the grinding wheel and low noise and dust load. It is suitable for wet and dry grinding.



## Flow chart



- |                                  |                            |
|----------------------------------|----------------------------|
| 1. Setting of the grinding wheel | 6. Clamping device         |
| 2. Setting scale                 | 7. Outlet of cooling agent |
| 3. Grinding motor                | 8. On-off-switch           |
| 4. Handle for swinging movement  | 9. Protective motor switch |
| 5. Grinding wheel                |                            |

## Options for clamping device:



Parallel vice



Permanent magnet



Combination parallel  
vice-permanent magnet

# Technical data HS 200

**Model: HS 200**

---

**Dimensions L x B x H**

Machine: 700 x 615 x 650 mm

---

**Weight**

Machine: Approx. 200 kg

---

**Electrical power supply and consumption**

Voltage: 400 V, 50 Hz, 3-phase AC, or customized

---

**Power consumption**

Approx. 1.5 kVA

---

**Motor speed**

2,800 U/ min

---

**Grinding wheel dimensions**

Diameter: 200 mm

Height: 100 mm

---

**Options**

- Liquid cooling device
  - Table
  - Demagnetization device for 230V, 50 Hz, 1 phase
  - Connection socket for dust extraction
- 

**Clamping devices:**

- Parallel vice
  - Pneumatic clamping device
  - Permanent magnet
  - Electro magnet
  - Combination parallel vice-permanent magnet
- 



The design of the machine complies with the applicable accident prevention and VDE (German association of electronic engineers) regulations. We reserve the right to make technical changes.

HS200/03.2015-E-1

**HERZOG Maschinenfabrik GmbH & Co. KG**

Auf dem Gehren 1  
49086 Osnabrück  
Germany

Phone +49 541 9 33 20  
Fax +49 541 9 33 232

info@herzog-maschinenfabrik.de  
www.herzog-maschinenfabrik.de

**HERZOG Automation Corp.**

16600 Sprague Road Suite 400  
Cleveland, Ohio 44130  
USA

Phone +1 440 891 9777  
Fax +1 440 891 9778

info@herzogautomation.com  
www.herzogautomation.com

**HERZOG Japan Co., Ltd.**

3-7, Komagome 2-chome  
Toshima-ku  
Tokio 170-0003

Phone +81 3 5907 1771  
Fax +81 3 5907 1770

info@herzog.co.jp  
www.herzog.co.jp

**HERZOG (Shanghai) Automation Equipment Co., Ltd.**

Section A2,2/F, Building 6,  
No.473, West Fute 1st Road,  
Waigaoqiao F.T.Z, Shanghai, 200131,  
P.R. China

Fon +86 21 50375915  
Fax +86 21 50375713  
MP +86 15 80 07 50 53 3

xc.zeng@herzog-automation.com.cn  
www.herzog-automation.com.cn

**Agence Nord:**

Bâtiment LETNA  
Boulevard de l'espérance  
14123 Cormelles le Royal  
tél : 02.31.34.50.74  
fax : 02.31.34.55.17

**Agence Sud:**

Bât Le Venango, 392 Rue Jean Dausset  
AGROPARC - BP11575  
84916 Avignon Cédex 9  
tél : 04.90.27.17.95 fax : 04.90.27.17.52



**Agence Est:**

Parc Club des Tanneries  
2 Rue de la Faisanderie  
67380 Lingolsheim  
tél : 03.88.04.01.81  
fax : 03.68.93.01.52

www.deltalabo.fr  
info@deltalabo.fr

**HERZOG**